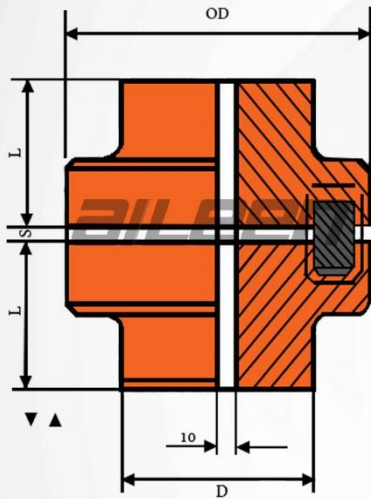


aileen

COUPLING NM



Model	bore		rpm	D	OD	L	S	kg
	Min	Max						
50	7	19	12500	33	50	25	2 ± 0.5	0.48
67	8	28	10000	46	67	30	2.5 ± 0.5	1.02
82	10	32	8000	53	82	40	3 ± 1	1.88
97	10	42	7000	69	97	50	3 ± 1	3.54
112	14	48	6000	79	112	60	3.5 ± 1	5.4
128	18	55	5000	90	128	70	3.5 ± 1	8.1
148	22	65	4500	107	148	80	3.5 ± 1	13.5
168	28	75	4000	124	168	88	3.5 ± 1.5	19.3
194	32	85	3500	140	198	100	3.5 ± 1.5	26.3
214	40	95	3000	158	218	112	4 ± 2	35.7